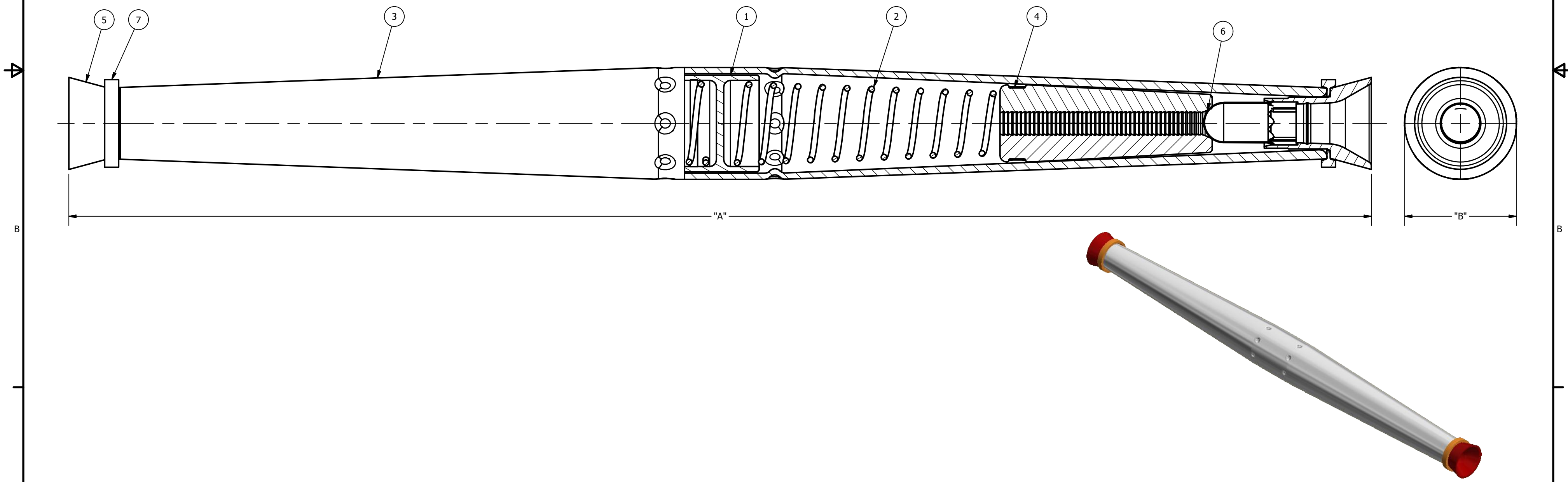


CATALOG NUMBER	CONDUCTOR RANGE (MIN - MAX)	ACSR	AAAC	AAC	DIM A	DIM B	COLOR CODE	APPROX. WT. EACH LB. [KG]	STANDARD PACK
GL401	.184-.263 [4.68-6.70]	6 - 4	6 - 4	6 - 4	14 [230]	1.0 [25]	BLUE	0.431 [0.20]	25
GL402A	.225-.250 [5.59-6.35]	4	4	4	9 [230]	0.9 [23]	ORANGE	0.216 [0.10]	50
GL404A	.280-.320 [7.11-8.13]	2	2	2	12 [305]	1.0 [25]	RED	0.353 [0.16]	25
GL4042A	.220-.320 [5.59-8.13]	4 - 2	4 - 2	4 - 2	12 [305]	1.0 [25]	RED-ORANGE	0.266 [0.12]	25
GL406A	.355-.400 [9.02-10.16]	1/0	1/0	1/0	12 [305]	1.1 [28]	YELLOW	0.376 [0.17]	25
GL4076A	.355-.470 [9.02-11.94]	1/0 - 2/0	1/0 - 2/0	1/0 - 2/0	18 [460]	1.4 [36]	YELLOW-GRAY	1.058 [0.48]	25
GL407	.400-.470 [10.16-11.94]	2/0	2/0	2/0	18 [460]	1.4 [36]	GRAY	1.058 [0.48]	25
GL408	.450-.530 [11.43-13.46]	3/0	3/0	3/0	20 [510]	1.6 [41]	BLACK	1.588 [0.72]	25
GL4098	.450-.595 [11.43-15.11]	3/0 - 4/0	3/0 - 4/0	3/0 - 4/0	22 [560]	1.7 [43]	PINK-BLACK	1.953 [0.89]	25
GL409A	.505-.595 [12.83-15.11]	4/0	4/0	4/0	17 [430]	1.6 [41]	PINK	1.286 [0.58]	25
GL410	.603-.666 [15.32-16.92]	266.8 (18/1)	312.8	336.4	19 [480]	1.7 [43]	BROWN	1.411 [0.64]	25
GL411	.659-.724 [16.74-18.39]	336.4 (18/1)	394.5	397.5, 336.4	20 [510]	1.8 [46]	GREEN	1.842 [0.83]	25
GL412	.720-.795 [18.29-20.19]	397.5 (17/1)	465.4	477	22 [560]	2.0 [51]	BLUE	2.352 [1.06]	25
GL413	.780-.858 [19.81-21.79]	477 (18/1)	559.5	556.5, 500	24 [210]	2.1 [54]	WHITE	2.842 [1.29]	25

ITEM	DESCRIPTION	MATERIAL
1	CENTERSTOP	PLASTIC
2	SPRING	STAINLESS STEEL OR GALVANIZED STEEL
3	TUBING	ALUMINUM
4	JAW	ALUMINUM
5	NOSE GUIDE ASSEMBLY	STEEL
6	PILOT CUP	ALUMINUM
7	ID RING	PLASTIC



- NOTES:
- ALL DIMENSIONS FOR REFERENCE ONLY. DISTANCE IN. [MM], FORCE LBS. [kN], TORQUE IN. LBS. [N.m], & WEIGHT LBS. [KG].
 - RATINGS:
 - WILLHOLD A MINIMUM OF 95% OF THE GUY WIRE RATED BREAKING STRENGTH.
 - CLASS A CURRENT RATING PER ANSI C119.4.

75536	08/29/18	JT	SD	HPS	HUBBELL POWER SYSTEMS POWER SYSTEMS, INC.
EC #	DATE	CHG BY	RESP ENG		
DESC OF DWG: INITIAL RELEASE				CONFIDENTIAL: THIS DRAWING AND ITS CONTACTS ARE CONFIDENTIAL AND THE EXCLUSIVE PROPERTY OF HUBBELL POWER SYSTEMS. NO PUBLICATION, DISTRIBUTION OR COPIES MAY BE MADE WITHOUT THE WRITTEN CONSENT OF HUBBELL POWER SYSTEMS. HUBBELL POWER SYSTEMS UNPUBLISHED ALL RIGHTS RESERVED UNDER THE COPYRIGHT LAWS	TITLE OVERHEAD LINE SPLICES AUTOMATIC ALUMINUM
REASON (S) FOR CHANGE: DISPOSITION OF MAT'L:					SIZE C
				CAT / PART / ASSY NO. SEE TABLE	REV 00
				DO NOT SCALE THIS DRAWING	DRN BY JT DATE 12/22/17 SHEET 1 OF 1